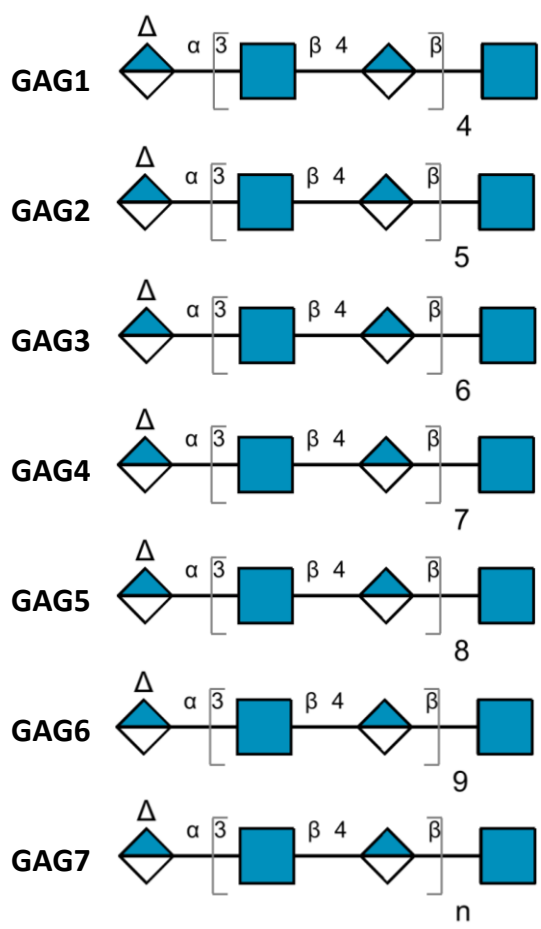
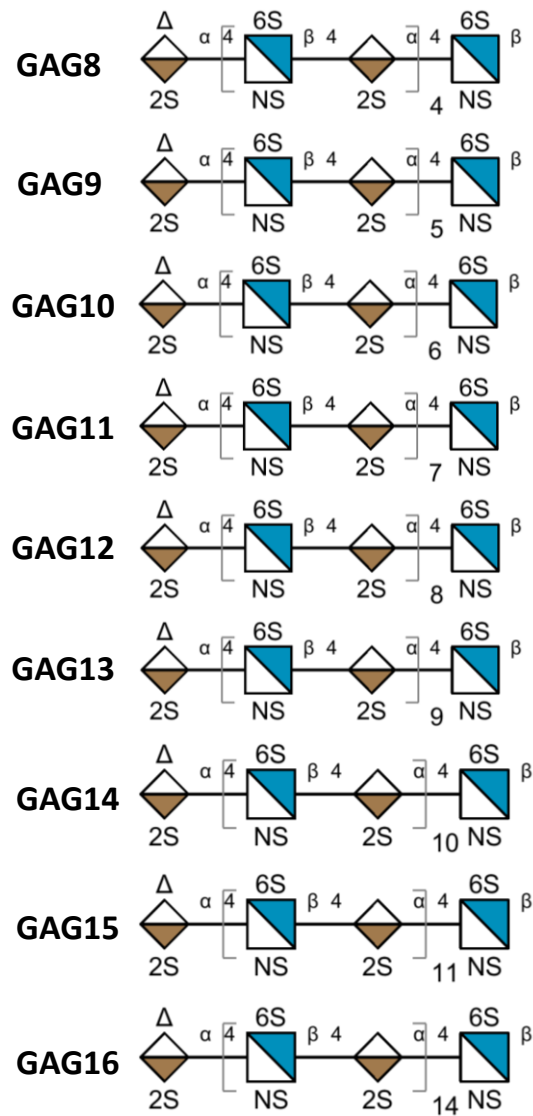


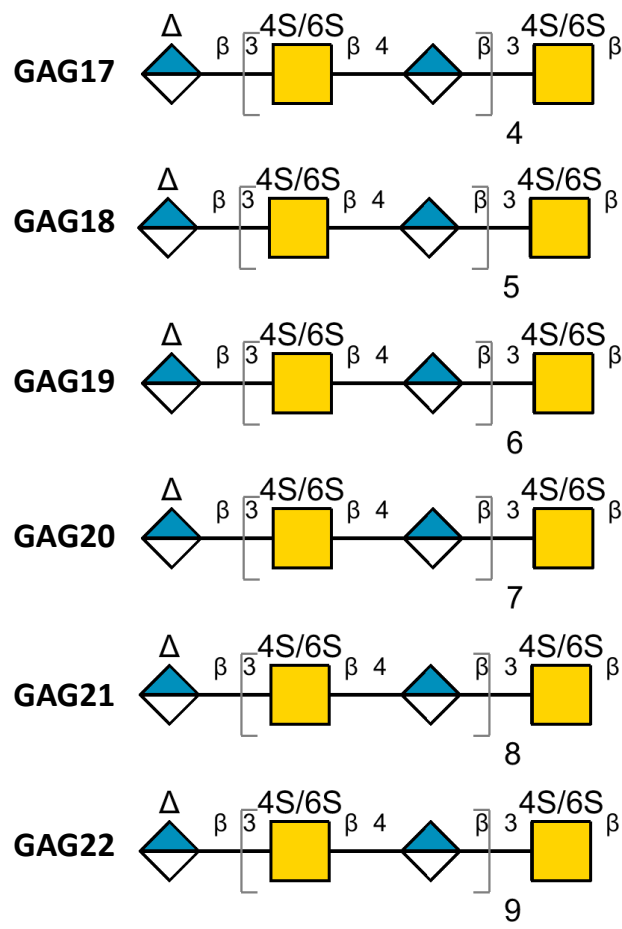
Hyaluronic Acid



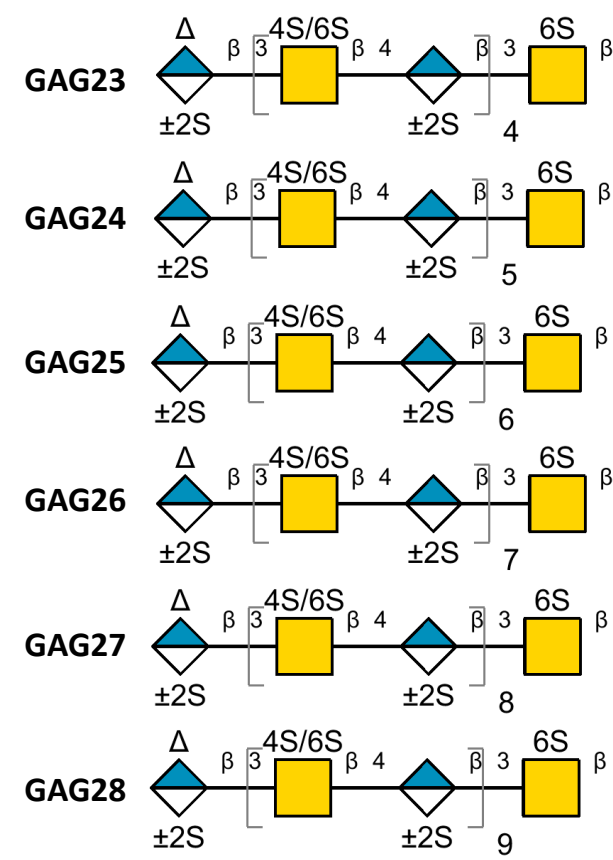
Heparin



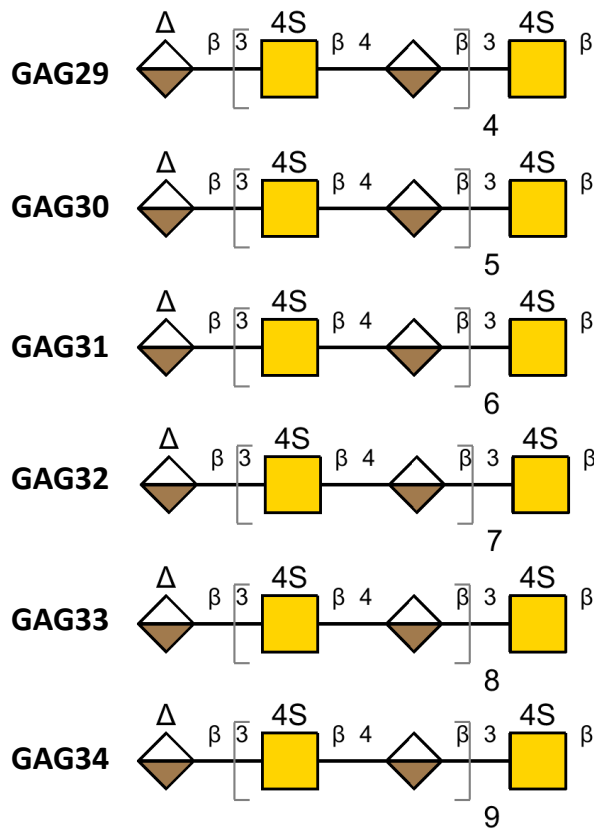
Chondroitin Sulfate AC



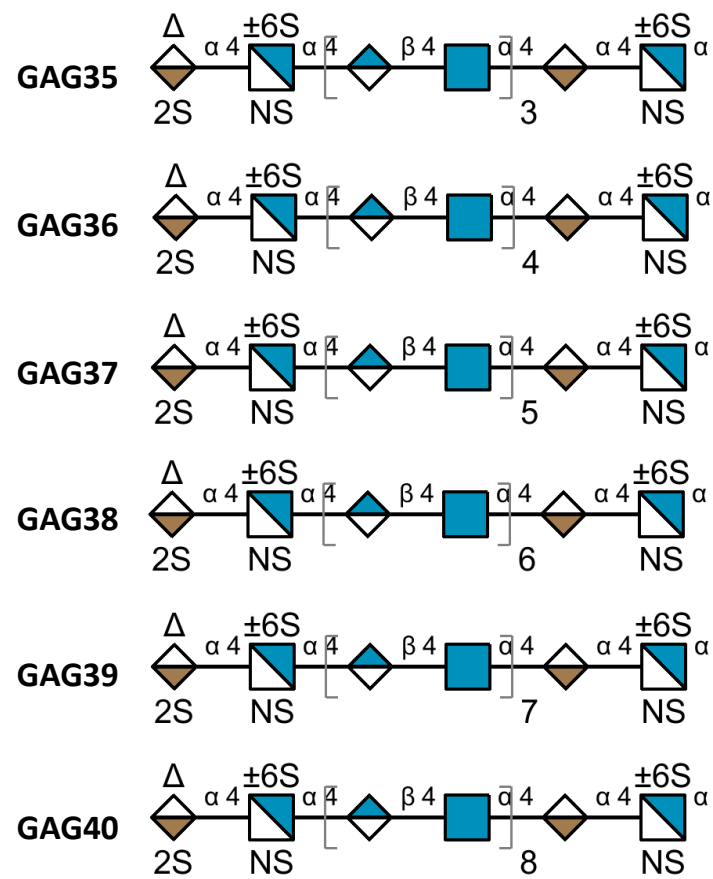
Chondroitin Sulfate D



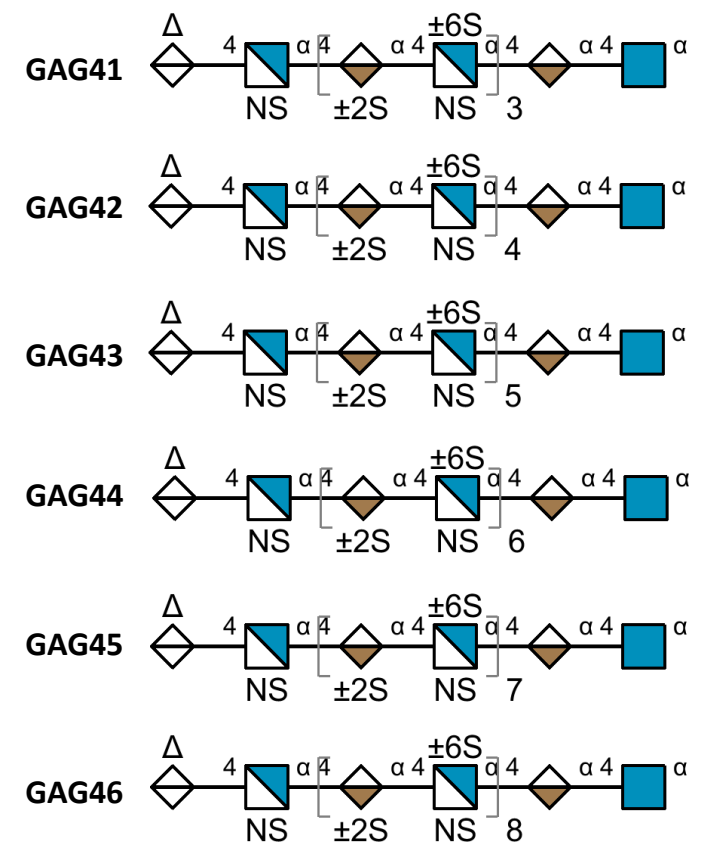
Dermatan Sulfate



Heparan Sulfate (low and intermediate sulfation (GlcNAc < GlcNS))



Heparan Sulfate (high sulfation (GlcNAc << GlcNS))



Keratan Sulfate

